



AVK PE BALL VALVES

TIMESAVER™

Expect... **AVR**

AVK Timesaver™ universal ball valves are made for use in the isolation of water and gas on domestic, commercial and industrial premises. The ends are designed for butt-fusion or electro-fusion making the valve an integral part of the fully welded leak-free pipe system. The valve is designed, manufactured, and approved to worldwide leading standards.

Tested in accordance with ASME B16.40 and NSF61 certified.



Certified to
NSF/ANSI 61

All valves are designed with a **double reducer length**, allowing for a second electro-fusion weld if the first one fails.

The reducers are butt-welded to the body. **Visual beads** reassure joint quality for each weld.

The valves are equipped with two **weather seals**, avoiding ingress of ground water and dirt into the operating mechanism.

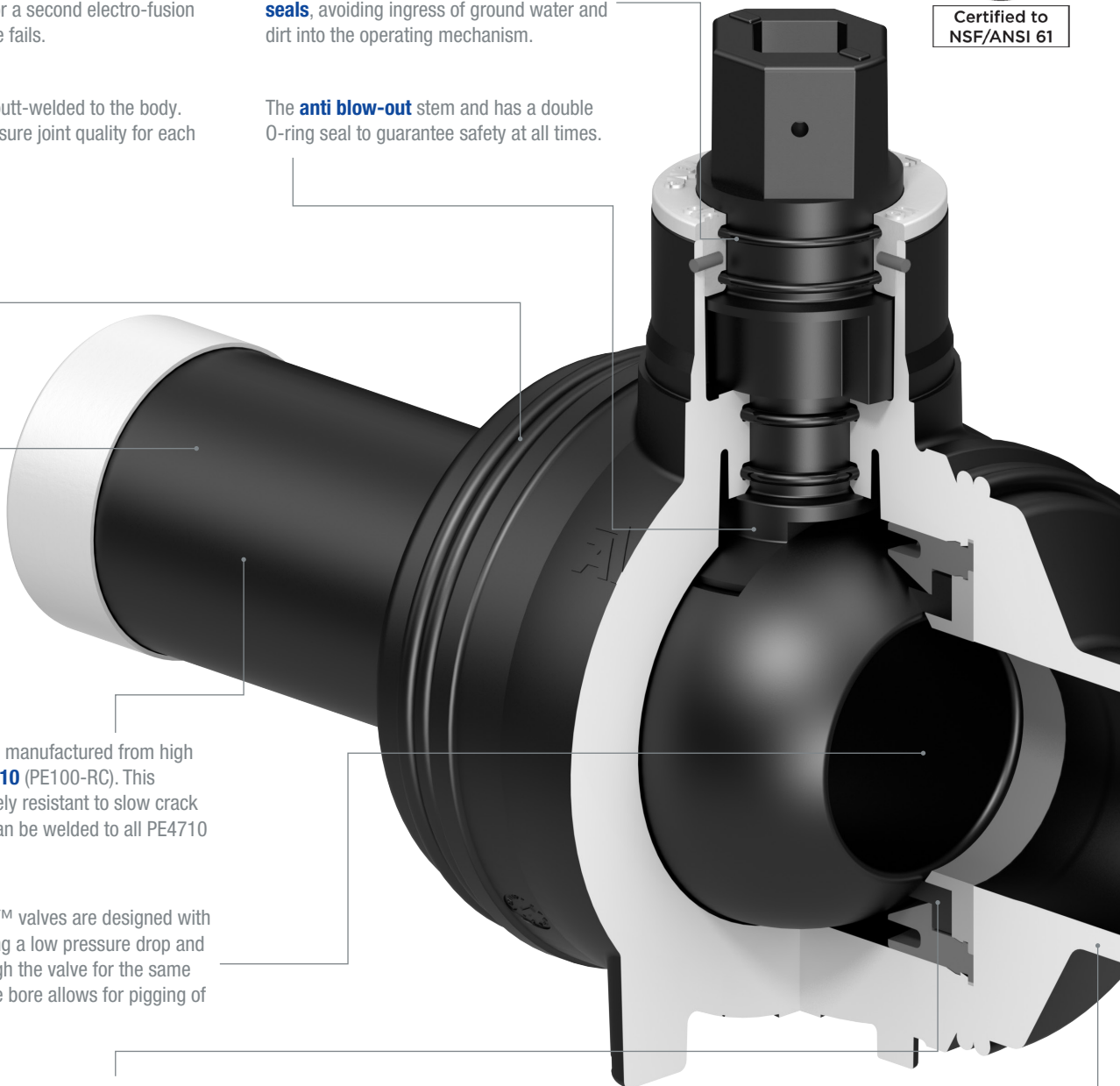
The **anti blow-out** stem and has a double O-ring seal to guarantee safety at all times.

Body and reducers manufactured from high performance **PE4710** (PE100-RC). This material is extremely resistant to slow crack propagation and can be welded to all PE4710 and PE3408 pipes.

All AVK Timesaver™ valves are designed with a **full port**, ensuring a low pressure drop and greater flow through the valve for the same pressure. The large bore allows for pigging of pipeline.

The floating ball principle and **special shaped ball seat** with large sealing surface are designed to ensure sealing at all times and be less affected by dirt or debris that might be in the pipeline.

The **reducer ends are machined** on the inside as well as on the outside, guaranteeing a uniform wall thickness, allowing for optimal welding of electro-fusion couplers. The smooth inner surface prevents deposits and minimises flow resistance.





AVK PE BALL VALVES

TIMESAVER™

Expect... **AVR**

Features

- Universal ball valve is suitable for gas or water
- Double reducer length allows for 2 electro-fusion joints, if the first one fails
- Full port design allows for pigging of pipeline
- Robust design, suitable for most harsh environments
- Seat, ball and grease combination ensures low operating torques and avoids sticking over time
- Over-torque protection prevents leakage to atmosphere
- Seat compression of large sealing surfaces precisely set via separate pre-assembly
- Flexible spindle shaft to ensure equal compression around the O-rings when loaded by internal pressure

Performance

- **Operating temperature**
-20°F to 140°F (-29° to 60°C)
- **Pressure rating gas**
DR11: 100 PSI
DR9: 125 PSI
DR7: 167 PSI
- **Pressure rating water**
DR11: 200 PSI
DR9: 250 PSI
DR7: 335 PSI



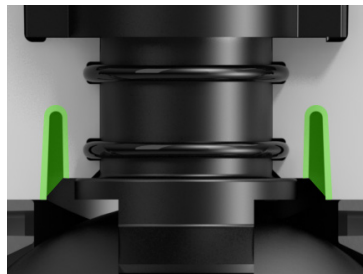
TIMESAVER™
Ball Valve DR11

TIMESAVER™
Ball Valve DR7/DR9

Close-up



If the valve is over torqued during opening or closing, the **connector** is designed to fail before the valve seals, preventing leakage to atmosphere.



The **flexible spindle shaft** ensures equal compression around the O-rings when loaded by internal pressure. At the same time, the groove will adapt to any deformation as a result of upstream pressure on the ball when the valve is in the closed position.



The **seat retainer and support ring** design ensure the ball seat is kept in place at all times. This optimal design prevents the ball seat from being dislodged, delivering better functionality over time.