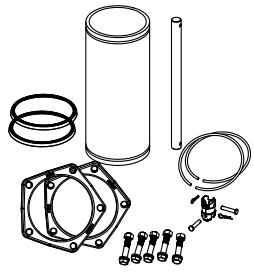
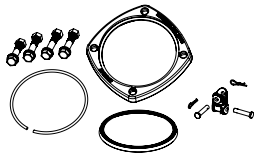
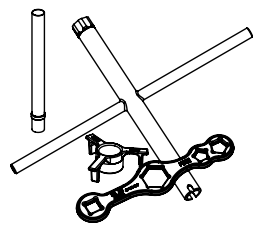
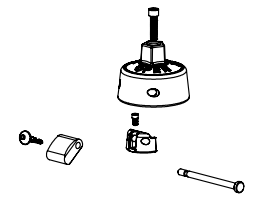
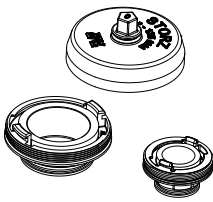
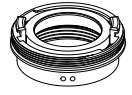


Type	AVK Ref. #	Size	Weight		Price US \$
			kg	lb	
Series 27 Dry Barrel Hydrant Options	For 8" MJ shoe less accessories				add 119
	For Straight Inlet				add 301
	For 4" PE Inlet				add 451
	For 6" PE Inlet				add 451
	Handwheel Kit				add 401
	For Integral Storz Connection 2.5"				add 601
	For Integral Storz Connection 4"				add 731
	For Integral Storz Connection 5"				add 821
Series 27 Extension Kits 	27-150-7001-106-00	6"	9	20	620
	27-150-7011-106-00	12"	18	40	730
	27-150-7021-106-00	18"	27	60	826
	27-150-7031-106-00	24"	36	80	929
	27-150-7041-106-00	30"	45	100	1,332
	27-150-7051-106-00	36"	55	120	1,456
	27-150-7061-106-00	42"	64	140	1,589
	27-150-7071-106-00	48"	73	160	1,779
	27-150-7081-106-00	54"	82	180	1,876
	27-150-7091-106-00	60"	91	100	1,910
	All extension kits are shipped with 304 Stainless Steel Stem.				
For 304 Stainless Steel Bolts add \$41					
For 316 Stainless Steel Bolts add \$81					
Use Fire Hydrant Parts Discount					
Series 27 Traffic Repair Kits 	27-150-75100	For Modern 27/00	11	24	327
	27-150-75301	For Nostalgic 27/80	11	24	327
	For Modern Hydrant Repair Kit, specify color.				
Part numbers above include zinc plated bolts. Other bolts available for additional charge.					
For 304 Stainless Steel Bolts add \$41					
For 316 Stainless Steel Bolts add \$81					
Use Fire Hydrant Parts Discount					
Series 27 Hydrants Tools 	27-150-301-001	Seat Wrench	6		251
	27-150-305-001	Seat Wrench Centering Tool	2		101
	27-150-307-001	Operating Wrench	5		101
	27-150-30300	Oil Sleeve	1		161
	Use Fire Hydrant Parts Discount				
Series 27 Tamper Guard 	27-000-47X	Tamper Guard w/o Lock			221
	27-000-47X	Tamper Guard with Lock			261
	Use Fire Hydrant Parts Discount				

Type	<table border="1"> <thead> <tr> <th data-bbox="597 92 812 262">AVK Ref. #</th> <th data-bbox="812 92 1104 262">Size</th> <th data-bbox="1104 92 1299 262">Weight kg lb</th> <th data-bbox="1299 92 1554 262">Price US \$</th> </tr> </thead> <tbody> <tr> <td colspan="4" data-bbox="597 262 1554 294">Bolting Below Ground</td> </tr> <tr> <td></td> <td>304 Grade Stainless Steel</td> <td></td> <td>add 140</td> </tr> <tr> <td></td> <td>316 Grade Stainless Steel</td> <td></td> <td>add 300</td> </tr> <tr> <td colspan="4" data-bbox="597 357 1554 388">Bolting Above Ground</td> </tr> <tr> <td></td> <td>304 Grade Stainless Steel</td> <td></td> <td>add 120</td> </tr> <tr> <td></td> <td>316 Grade Stainless Steel</td> <td></td> <td>add 170</td> </tr> <tr> <td colspan="4" data-bbox="597 451 1554 483">Bolting Above & Below Ground</td> </tr> <tr> <td></td> <td>304 Grade Stainless Steel</td> <td></td> <td>add 260</td> </tr> <tr> <td></td> <td>316 Grade Stainless Steel</td> <td></td> <td>add 470</td> </tr> <tr> <td colspan="4" data-bbox="597 546 1554 577">Upper Stem</td> </tr> <tr> <td></td> <td>316 Grade Stainless Steel</td> <td></td> <td>add 250</td> </tr> <tr> <td colspan="4" data-bbox="597 609 1554 640">Lower Stem</td> </tr> <tr> <td></td> <td>304 Grade Stainless Steel</td> <td></td> <td>add 100 per bury foot</td> </tr> <tr> <td></td> <td>316 Grade Stainless Steel</td> <td></td> <td>add 120 per bury foot</td> </tr> </tbody> </table>	AVK Ref. #	Size	Weight kg lb	Price US \$	Bolting Below Ground					304 Grade Stainless Steel		add 140		316 Grade Stainless Steel		add 300	Bolting Above Ground					304 Grade Stainless Steel		add 120		316 Grade Stainless Steel		add 170	Bolting Above & Below Ground					304 Grade Stainless Steel		add 260		316 Grade Stainless Steel		add 470	Upper Stem					316 Grade Stainless Steel		add 250	Lower Stem					304 Grade Stainless Steel		add 100 per bury foot		316 Grade Stainless Steel		add 120 per bury foot
AVK Ref. #	Size	Weight kg lb	Price US \$																																																										
Bolting Below Ground																																																													
	304 Grade Stainless Steel		add 140																																																										
	316 Grade Stainless Steel		add 300																																																										
Bolting Above Ground																																																													
	304 Grade Stainless Steel		add 120																																																										
	316 Grade Stainless Steel		add 170																																																										
Bolting Above & Below Ground																																																													
	304 Grade Stainless Steel		add 260																																																										
	316 Grade Stainless Steel		add 470																																																										
Upper Stem																																																													
	316 Grade Stainless Steel		add 250																																																										
Lower Stem																																																													
	304 Grade Stainless Steel		add 100 per bury foot																																																										
	316 Grade Stainless Steel		add 120 per bury foot																																																										
<p>Series 27 Storz Nozzles & Caps</p> 	<table border="1"> <thead> <tr> <th></th> <th data-bbox="1266 808 1347 840">Caps</th> <th data-bbox="1445 808 1526 840">Nozzles</th> </tr> </thead> <tbody> <tr> <td>2.5"</td> <td>181</td> <td>601</td> </tr> <tr> <td>4"</td> <td>241</td> <td>731</td> </tr> <tr> <td>5"</td> <td>241</td> <td>821</td> </tr> </tbody> </table> <p>Use Fire Hydrant Parts Discount</p>		Caps	Nozzles	2.5"	181	601	4"	241	731	5"	241	821																																																
	Caps	Nozzles																																																											
2.5"	181	601																																																											
4"	241	731																																																											
5"	241	821																																																											
<p>Series 27 Storz Adaptors</p> 	<table border="1"> <thead> <tr> <th></th> <th data-bbox="1266 1092 1347 1123">Caps</th> <th data-bbox="1445 1092 1526 1123">Nozzles</th> </tr> </thead> <tbody> <tr> <td>4" Nozzle to 4" Storz</td> <td>241</td> <td>1,101</td> </tr> <tr> <td>4.5" Nozzle to 4" Storz</td> <td>241</td> <td>1,101</td> </tr> <tr> <td>4" Nozzle to 5" Storz</td> <td>241</td> <td>1,101</td> </tr> <tr> <td>4.5" Nozzle to 5" Storz</td> <td>241</td> <td>1,101</td> </tr> </tbody> </table> <p>Use Fire Hydrant Parts Discount</p>		Caps	Nozzles	4" Nozzle to 4" Storz	241	1,101	4.5" Nozzle to 4" Storz	241	1,101	4" Nozzle to 5" Storz	241	1,101	4.5" Nozzle to 5" Storz	241	1,101																																													
	Caps	Nozzles																																																											
4" Nozzle to 4" Storz	241	1,101																																																											
4.5" Nozzle to 4" Storz	241	1,101																																																											
4" Nozzle to 5" Storz	241	1,101																																																											
4.5" Nozzle to 5" Storz	241	1,101																																																											
<p>Optional PUR (Polyurethane) Exterior Coating Below Ground Only</p>	<table border="1"> <thead> <tr> <th data-bbox="876 1365 974 1396">Bury Depth</th> <th></th> </tr> </thead> <tbody> <tr> <td>3' or less</td> <td>add 451</td> </tr> <tr> <td>3.5'</td> <td>add 491</td> </tr> <tr> <td>4'</td> <td>add 531</td> </tr> <tr> <td>4.5'</td> <td>add 571</td> </tr> <tr> <td>5'</td> <td>add 611</td> </tr> <tr> <td>5.5'</td> <td>add 651</td> </tr> <tr> <td>6'</td> <td>add 691</td> </tr> <tr> <td>6.5'</td> <td>add 731</td> </tr> <tr> <td>7'</td> <td>add 771</td> </tr> <tr> <td>7.5'</td> <td>add 811</td> </tr> <tr> <td>8'</td> <td>add 851</td> </tr> <tr> <td>8.5'</td> <td>add 891</td> </tr> <tr> <td>9'</td> <td>add 931</td> </tr> <tr> <td>9.5'</td> <td>add 971</td> </tr> <tr> <td>10'</td> <td>add 1,101</td> </tr> </tbody> </table> <p>Note: Add \$40 per 6-inch increment for bury depths greater than 10 feet</p>	Bury Depth		3' or less	add 451	3.5'	add 491	4'	add 531	4.5'	add 571	5'	add 611	5.5'	add 651	6'	add 691	6.5'	add 731	7'	add 771	7.5'	add 811	8'	add 851	8.5'	add 891	9'	add 931	9.5'	add 971	10'	add 1,101																												
Bury Depth																																																													
3' or less	add 451																																																												
3.5'	add 491																																																												
4'	add 531																																																												
4.5'	add 571																																																												
5'	add 611																																																												
5.5'	add 651																																																												
6'	add 691																																																												
6.5'	add 731																																																												
7'	add 771																																																												
7.5'	add 811																																																												
8'	add 851																																																												
8.5'	add 891																																																												
9'	add 931																																																												
9.5'	add 971																																																												
10'	add 1,101																																																												