

AMERICAN AVK BRONZE GLOBE VALVE
For Fire Protection Only
NPT Threaded Ends - Valve Sizes 1/4" - 2"

970/GLV
NPTxNPT

Use:

Non-shock cold water.

Tests:

200 WOG

Standard Materials:

Body, Bonnet, Stem, Packing Nut, Seat Disc, Handwheel Nut

Brass

Hand wheel

Cast iron ASTM A126 class B

Operating Plate

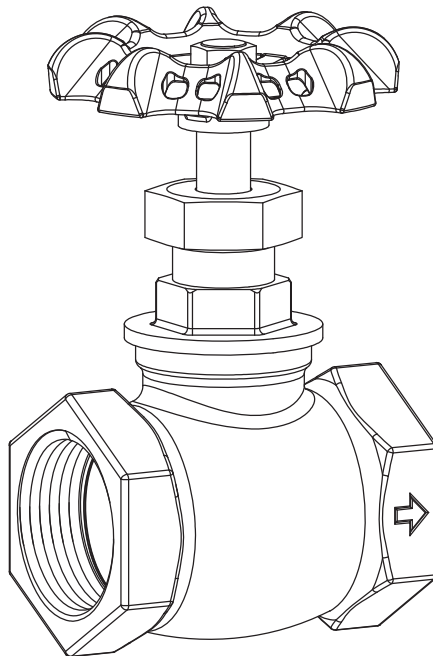
Aluminum

Packing

PTFE

Seat Disc

NBR

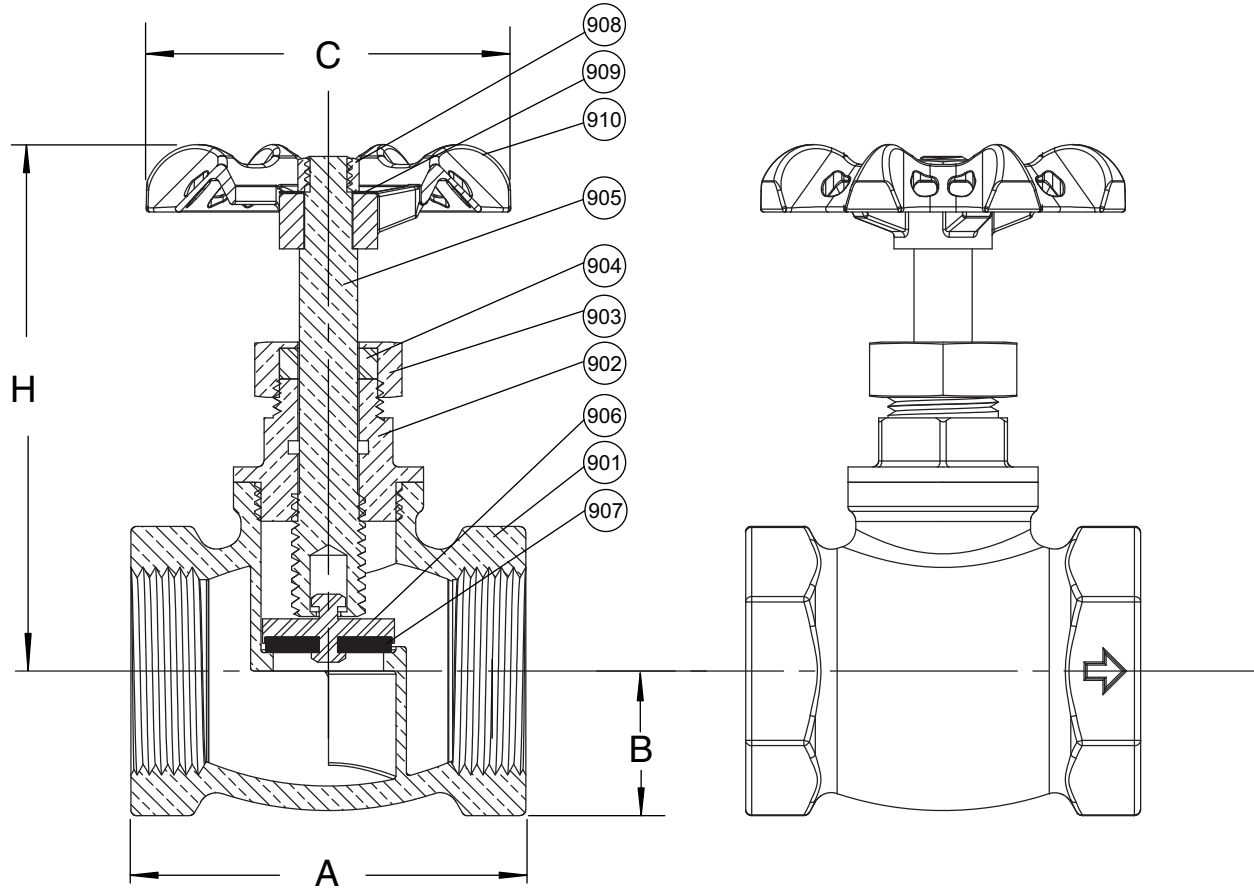


AMERICAN AVK BRONZE GLOBE VALVE
For Fire Protection Only
NPT Threaded Ends - Valve Sizes ¼" - 2"

970/GLV
NPTxNPT

Component List:

901. Body	905. Stem	909. Operating Plate
902. Bonnet	906. Seat	910. Handwheel
903. Packing Nut	907. Seat Disc	
904. Packing	908. Stem Nut	



Ref No.	Size	A	B	C	H	Weight Lbs.
970-015-GLV*	¼"	1.61"	0.42"	2.10"	1.96"	0.42
970-015-GLV	½"	1.96"	0.58"	2.11"	2.73"	0.61
970-020-GLV	¾"	2.28"	0.72"	2.14"	3.20"	0.91
970-025-GLV	1"	2.57"	0.88"	2.52"	3.56"	1.31
970-032-GLV	1¼"	3.26"	1.04"	3.08"	4.01"	1.90
970-040-GLV	1½"	3.48"	1.25"	3.08"	4.67"	2.80
970-050-GLV	2"	3.76"	1.51"	4.29"	5.63"	4.35

* ¼" size in 3-way valve only

