

# AVK BUTTERFLY VALVE FOR FIRE PROTECTION

300 PSI rated working pressure  
IPS Grooved End - Valve Sizes 2.5" - 8"

815/BFV  
IPS GRxGR

### Use:

For water to maximum 160°F.

### Tests:

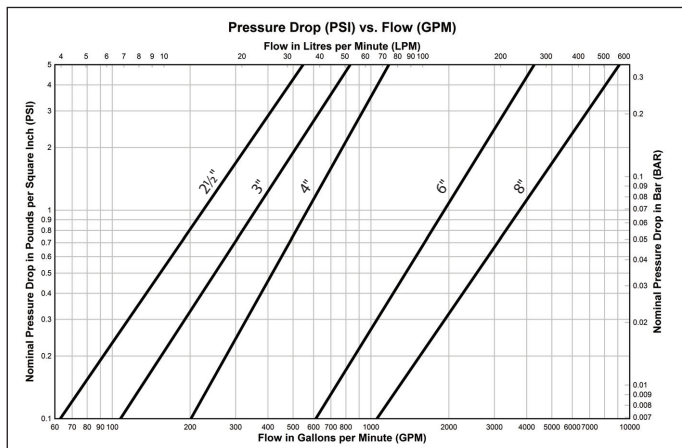
Hydraulic tests:

Shell Test: 600 PSI

Seat Test: 300 PSI

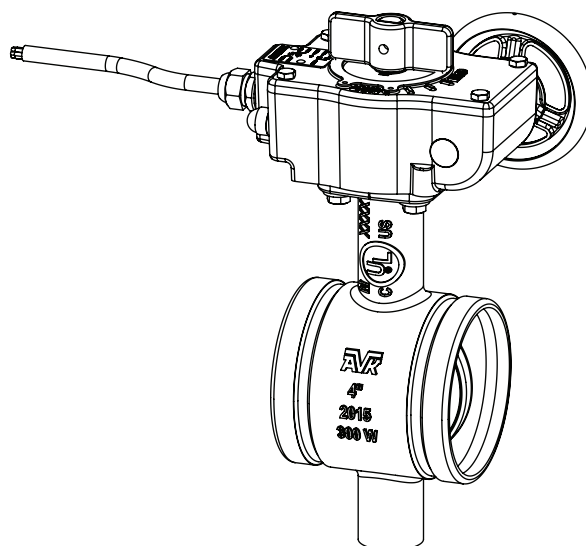
### Approvals:

UL/ULC Listed  
FM Approved



### Standard Materials:

Body	Ductile iron ASTM A536
Indicator Flag	Grey iron ASTM A126 class B
Coating	Electrostatically applied fusion-bonded epoxy-resin
Stems	Standard: Stainless steel ASTM A276
Bushings	Copper alloy ASTM B505
Disc	Ductile iron ASTM A536 encapsulated with EPDM-rubber compound
Mounting Hardware, Set Screw	Zinc plated steel
O-Rings	ASTM D2000 Buna "N" nitrile rubber



# AVK BUTTERFLY VALVE FOR FIRE PROTECTION

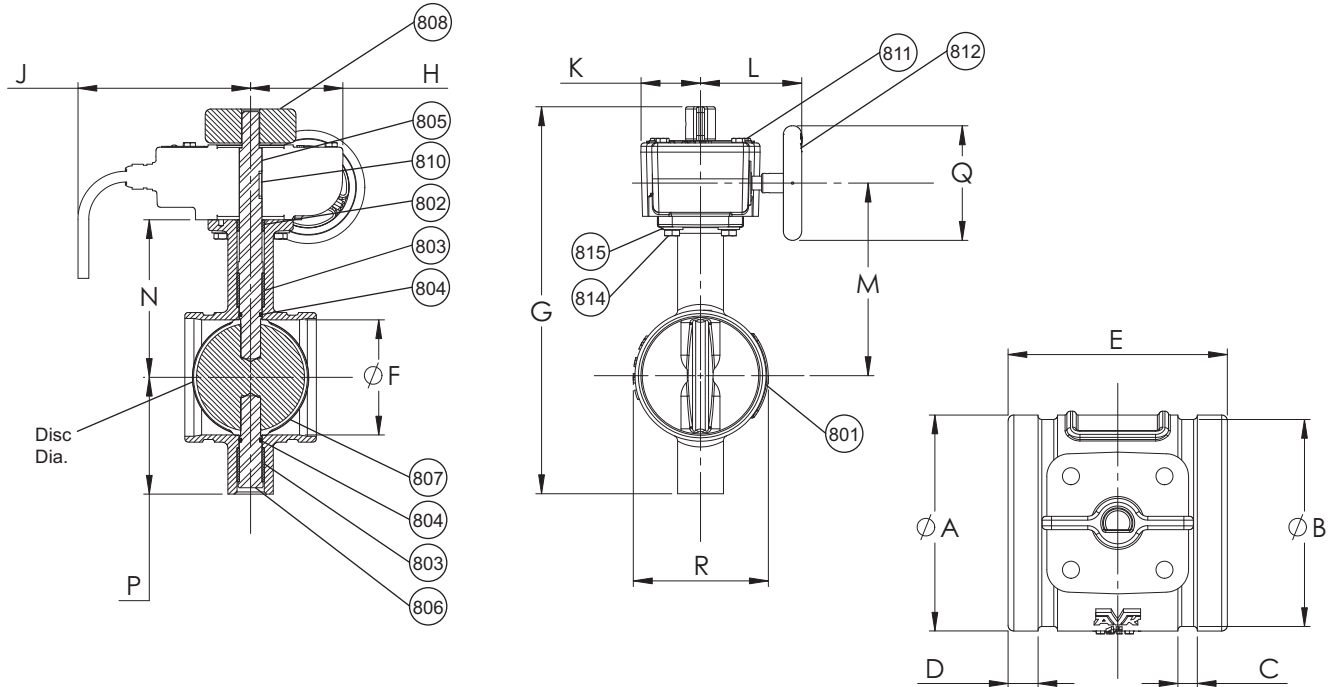
300 PSI rated working pressure  
IPS Grooved End - Valve Sizes 2.5" - 8"

815/BFV  
IPS GRxGR

### Component List:

801. Body	806. Stub Shaft	811. Gearbox
802. Short Bushing	807. Disc	812. Hand Wheel
803. Long Bushing	808. Indicator Flag	813. Hand Wheel Pin*
804. Shaft O-Ring	809. Indicator Flag Set Screw*	814. Gearbox Bolt
805. Drive Shaft	810. Key	815. Gearbox Washer

\*Not shown



Ref No.	Size	A	B	C	D	E	F	G	H	J
815-065-BFV	2.5"	2.85"	2.90"	0.31"	0.65"	3.86"	2.52"	11.20"	2.75"	4.50"
815-080-BFV	3"	3.53"	3.34"	0.31"	0.65"	3.86"	3.03"	12.00"	2.75"	4.50"
815-100-BFV	4"	4.54"	4.33"	0.37"	0.65"	4.57"	4.00"	13.80"	3.25"	5.80"
815-150-BFV	6"	6.68"	6.45"	0.37"	0.65"	5.83"	6.00"	16.20"	3.25"	5.80"
815-200-BFV	8"	8.68"	8.44"	0.43"	0.78"	5.28"	8.00"	18.90"	4.00"	6.25"
Ref No.	Size	K	L	M	N	P	Q	R	Disc Dia.	Weight (lbs.)
815-065-BFV	2.5"	1.58"	2.44"	5.27"	4.13"	3.15"	2.30"	2.97"	2.56"	10
815-080-BFV	3"	1.58"	2.44"	5.55"	4.41"	3.35"	2.30"	3.65"	3.07"	11
815-100-BFV	4"	2.10"	3.90"	6.63"	5.47"	4.10"	3.94"	4.66"	4.04"	21
815-150-BFV	6"	2.10"	3.90"	7.46"	6.30"	5.20"	3.94"	6.80"	**6.04"	30
815-200-BFV	8"	2.62"	4.96"	9.47"	7.87"	6.46"	6.30"	8.81"	**8.04"	45

Note: 1. "J" dimension includes 1.5" cable relief

2. \*\* Disc diameter protrudes beyond "E" dimension

