

**AMERICAN AVK RESILIENT SEATED DUCTILE IRON GATE VALVE 65/PPN-WD**  
**250 PSI, Tested to AWWA C515 (NRS)**  
**Push-on Joint End x Push-on Joint End (TYTON) - Valve sizes 4" - 12"**  
**POxPO**

**Use:**

For water and neutral liquids to maximum 160°F.

**Tests:**

Hydraulic test to AWWA C509:

Shell Test: 500 PSI 3"-16"

Seat Test: 250 PSI 3"-16"

Operating Torque Test

**Optional Materials:**

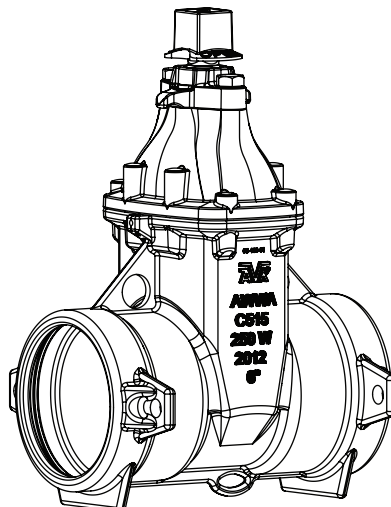
Wedge                      Ductile iron ASTM A536  
 encapsulated with NBR-rubber  
 compound

**Standard Materials:**

Body, Bonnet, Gland Flange, Wrench Nut	Ductile iron ASTM A536 (Wrench Nut-painted black for open left, red for open right)
Coating	Electrostatically applied fusion- bonded epoxy-resin Meets or exceeds AWWA C550
Stem	Standard: Stainless steel 430F
Wedge	Ductile iron ASTM A536 encapsulated with EPDM-rubber compound
Wedge Nut, Thrust Collar	Bronze
Bonnet Bolts	Stainless Steel - 316 sealed with hot melt
Gland Bolts	Stainless Steel - 316 Hexagon bolt
Bonnet Gasket, Wiper Ring, O-Ring Stem Seals, O-Ring Gland Seal	ASTM D2000 Buna "N" nitrile rubber

**Approvals:**

Certified to: ANSI/NSF 61, ANSI/NSF 372



# AMERICAN AVK RESILIENT SEATED DUCTILE IRON GATE VALVE

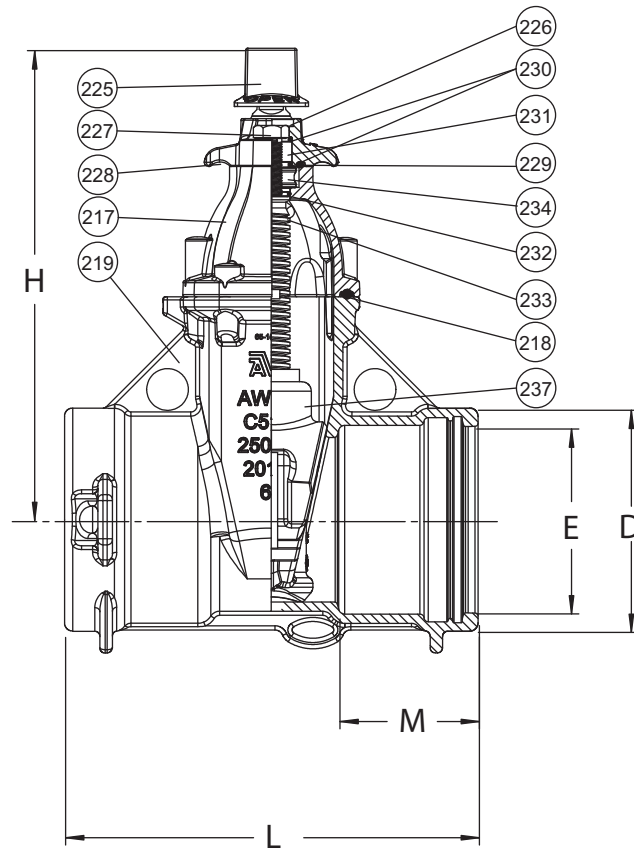
65/PPN-WD  
POxPO

250 PSI, Tested to AWWA C515 (NRS)

Push-on Joint End x Push-on Joint End (TYTON) - Valve sizes 4" - 12"

### Component List:

217. Bonnet	227. Gland Flange Bolt	232. Lower Stem Seal O-Ring
218. Bonnet Gasket	228. Gland Flange	233. NRS Stem
219. Body	229. Gland O-Ring	234. Thrust Collar
225. Wrench Nut	230. Upper Stem Seal O-Rings	237. Wedge
226. Wiper Ring	231. Stem Seal Bushing	



Ref No.	Size	D	E	H	L	M	Turns to Open	Weight (lbs.)
65-100-PPN-WD	4"	6.32"	4.96"	14.25"	11.99"	4.12"	17.5	56
65-150-PPN-WD	6"	8.44"	7.06"	18.04"	15.63"	5.22"	24.5	95
65-200-PPN-WD	8"	10.72"	9.22"	22.36"	17.17"	5.63"	27.5	142
65-250-PPN-WD	10"	12.80"	11.28"	25.39"	17.64"	5.63"	34.5	212
65-300-PPN-WD	12"	14.96"	13.38"	28.49"	19.21"	5.63"	41.5	287

