

AMERICAN AVK RESILIENT SEATED DUCTILE IRON GATE VALVE
250 PSI, Tested to AWWA C509 / C515 (NRS) for Indicator Post
Mechanical Joint by Flanged Ends to ASME B16.42 Class 150 - Valve Sizes 4" - 16"

45/MFP-UL
MJxFL PIV

Use:
 For water and neutral liquids to maximum 160°F.

Tests:
 Hydraulic test to AWWA C509:
 Shell Test: 500 PSI 4"-16"
 Seat Test: 250 PSI 4"-16"
 Operating Torque Test


Optional Materials:
 Stem For UL, FM, ULC for 4" - 12"
 Low Zinc Bronze ASTM B763

 Anti Friction Washers Polyamide


 Wedge Ductile iron ASTM A536
 encapsulated with NBR-rubber
 compound


Standard Materials: Body, Bonnet, Post Indicator Plate, Wrench Nut	Ductile iron ASTM A536 (Wrench Nut-painted black for open left, red for open right)
Coating	Electrostatically applied fusion- bonded epoxy-resin Meets or exceeds AWWA C550
Stem	Stainless steel 304, 4"-12" Aluminum Bronze C63020, 14"-16"
Wedge	Ductile iron ASTM A536 encapsulated with EPDM-rubber compound
Wedge Nut, Thrust Collar	Bronze
Bonnet Bolts	Stainless Steel - 316 sealed with hot melt
Gland Bolts	Stainless Steel - 316 Hexagon bolt
Bonnet Gasket, Wiper Ring, O-Ring Stem Seals, O-Ring Gland Seal	ASTM D2000 Buna "N" nitrile rubber


Approvals:



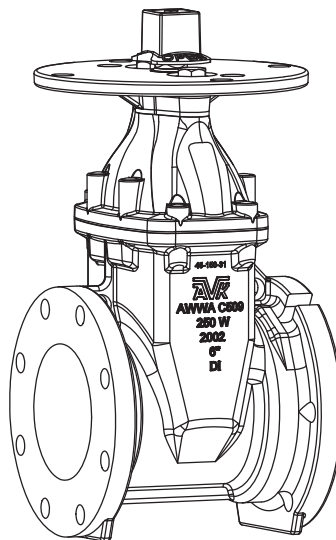
*UL/ULC Listed
 *FM Approved
 Certified to: ANSI/NSF 61, ANSI/NSF 372







* Approved at 250 PSI working pressure, 4"-12"
 * Approved at 200 PSI working pressure, 14"-16"



AMERICAN AVK RESILIENT SEATED DUCTILE IRON GATE VALVE

45/MFP-UL

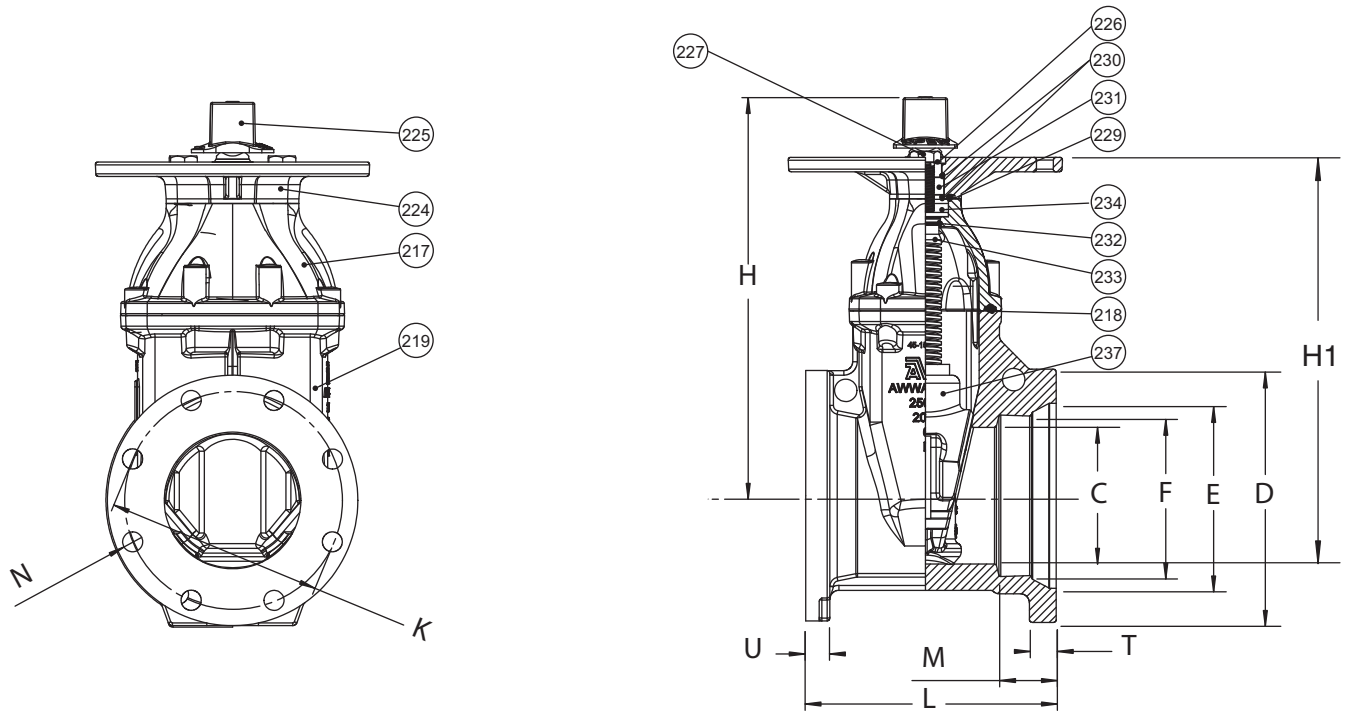
250 PSI, Tested to AWWA C509 / C515 (NRS) for Indicator Post

MJxFL PIV

Mechanical Joint by Flanged Ends to ASME B16.42 Class 150 - Valve Sizes 4" - 16"

Component List:

- | | | |
|---------------------------|------------------------------|-----------------------------|
| 217. Bonnet | 226. Wiper Ring | 232. Lower Stem Seal O-Ring |
| 218. Bonnet Gasket | 227. Gland Flange Bolt | 233. NRS Stem |
| 219. Body | 229. Gland O-Ring | 234. Thrust Collar |
| 224. Post Indicator Plate | 230. Upper Stem Seal O-Rings | 237. Wedge |
| 225. Wrench Nut | 231. Stem Seal Bushing | |



Ref No.	Size	C	D	E	F	H	H1	K	L	M	N	T	U	Flange Holes	Turns to Open	Weight (lbs.)
45-100-MFP-UL	4"	4.25"	9.12"	6.02"	4.90"	13.50"	13.00"	7.50"	9.00"	2.50"	0.75"	1.00"	1.00"	8	14	78
45-150-MFP-UL	6"	6.25"	11.12"	8.12"	7.00"	17.50"	18.00"	9.50"	10.50"	2.50"	0.88"	1.18"	1.06"	8	20	112
45-200-MFP-UL	8"	8.25"	13.37"	10.27"	9.15"	21.50"	23.00"	11.75"	11.50"	2.50"	0.88"	1.24"	1.14"	8	26	169
45-250-MFP-UL	10"	10.25"	15.69"	12.34"	11.20"	24.75"	27.00"	14.25"	13.00"	2.50"	1.00"	1.14"	1.22"	12	32	284
45-300-MFP-UL	12"	12.25"	17.88"	14.44"	13.30"	27.63"	31.00"	17.00"	14.00"	2.50"	1.00"	1.22"	1.30"	12	38	424
45-350-MFP-UL	14"	14.25"	20.31"	16.61"	15.50"	35.75"	39.00"	18.75"	15.00"	3.50"	1.13"	1.32"	1.40"	12	51	635
45-400-MFP-UL	16"	16.25"	22.56"	18.64"	16.12"	34.75"	42.00"	21.25"	16.00"	3.50"	1.13"	1.34"	1.44"	16	51	805

