

**AMERICAN AVK WALL INDICATOR POST**  
**To UL 789 - to ULC CEX 1393 - To FM class number 1110**  
**Valve Sizes 2½" - 24"**

**34/8X**  
**WALL INDICATOR POST**

**Use:**

Will fit gate valves (2½" - 24") with a 2" square wrench nut

**Optional Extras:**

Bolting Material      Option a): Stainless Steel - 304

Stem Lengths          Refer to Detail "A"

**Approvals:**



UL/ULC Listed, 2½" - 24"\*

FM Approved, 2½" - 16"\*

\*2½"-3" not UL/ULC Listed - FM Approved

**Standard Materials:**

Wrench Nut Adaptor,                      Ductile iron ASTM A536  
 Handwheel, Indicator Head,  
 Operating Wrench

Bolts, Nuts,                                  Zinc plated steel  
 Washers

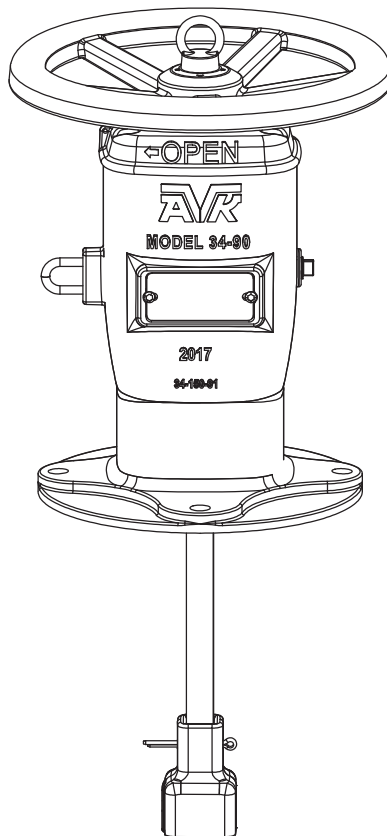
Set Screw, Tension Pin,                  Stainless steel  
 Circlip Ring

Stem,    Cold drawn steel

Target, Operating Nut                      Bronze

Target Sign                                    Aluminum (painted)

Window    Polycarbonate



**AMERICAN AVK WALL INDICATOR POST**  
**To UL 789 - to ULC CEX 1393 - To FM class number 1110**  
**Valve Sizes 2½" - 24"**

**34/8X**  
**WALL INDICATOR POST**

**Component List:**

- 3. Window Screw
- 216. Bonnet Bolt
- 301. Eyebolt
- 302. Eye Bolt Washer M16x50x3
- 303. Handwheel
- 304. Stem Nut
- 305. Wall Post Head
- 306. Window
- 308. Flange Bolt

- 309. Flange Bolt Washer
- 310. Flange Bolt Nut
- 311. Wrench Nut Adapter Set Screw
- 312. Pipe Plug
- 313. Wall Post Stem
- 314. Stem Nut O-Ring
- 315. Stem Nut Snap Ring
- 316. Cotter Pin
- 317. Wrench Nut Adaptor

- 318. Target
- 319. Shut Plate
- 320. Plate Nut
- 321. Open Plate
- 322. Plate Attachment Screw
- 323. Target Spacer
- 337. Bonnet

