

AMERICAN AVK TELESCOPIC INDICATOR POST
 To UL 789 - to ULC CEX 1393 - To FM class number 1110
 Valve Sizes 4" - 12"

34/0X
TELESCOPIC INDICATOR POST

Use:

Will fit any gate valve (4" - 12") with a post indicator mounting plate and a 2" square wrench nut

Optional Extras:

Bolting Material Option a): Stainless Steel - 304
 Option b): Stainless Steel - 316

Stem Lengths To various bury depths

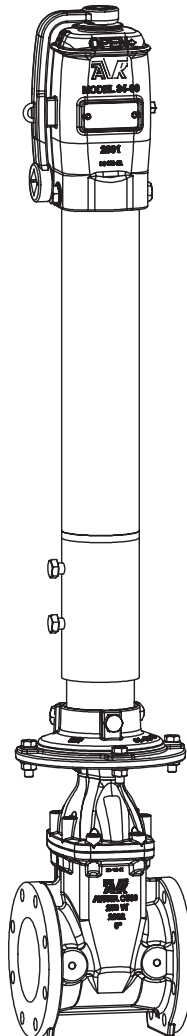
Approvals:



UL/ULC Listed,
 FM Approved

Standard Materials:

Wrench Nut Adaptor, Operating Wrench, Post Indicator Bell, Indicator Head	Ductile iron ASTM A536
Bolts, Nuts, Washers	Zinc coated steel
Set Screw, Tension Pin, Circlip Ring	Stainless steel
Upper, Lower Stem, Upper, Lower Barrel	Cold drawn steel
Target, Operating Nut	Bronze
Target Sign	Aluminum (painted)
Window	Polycarbonate

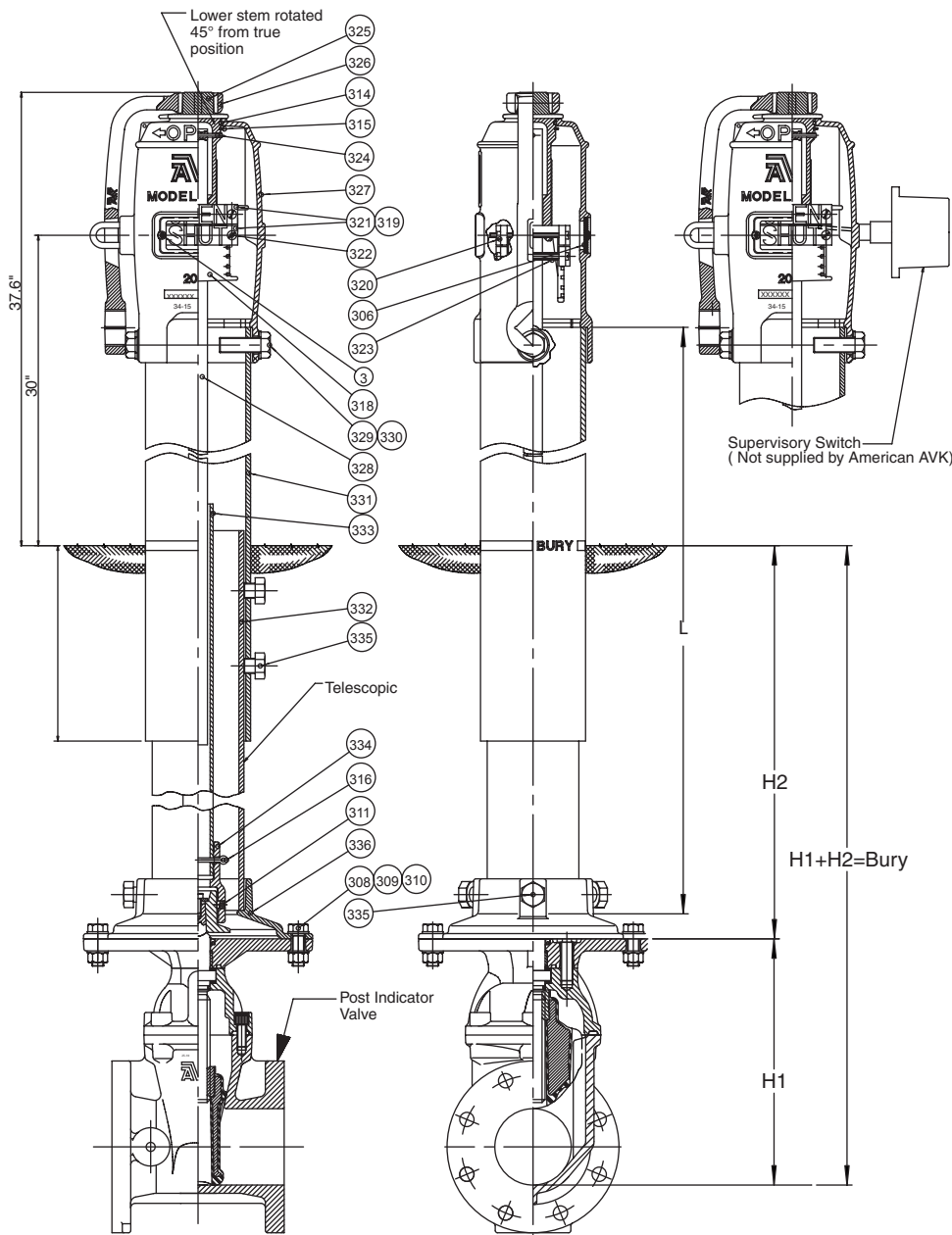


American AVK Company
 an ISO 9001-2000 registered company

DS S340X TELESCOPIC INDICATOR POST
 Subject to change without notice. (rev. 02/06)

AMERICAN AVK TELESCOPIC INDICATOR POST
 To UL 789 - to ULC CEX 1393 - To FM class number 1110
 Valve Sizes 4" - 12"

34/0X
TELESCOPIC INDICATOR POST



Component List:

- 3. Window Screw
- 306. Window
- 308. Flange Bolt
- 309. Flange Bolt Washer
- 310. Flange Bolt Nut
- 311. Wrench Nut Adapter Set Screw
- 314. Stem Nut O-Ring
- 315. Stem Nut Snap Ring
- 316. Cotter Pin
- 318. Target
- 319. Shut Plate
- 320. Plate Nut
- 321. Open Plate
- 322. Plate Attachment Screw
- 323. Target Spacer
- 324. Upper Stem Attachment Pin (3400)
- 325. Stem Nut (3400)
- 326. Operating Wrench
- 327. Telescopic Post Head
- 328. Telescopic Post Upper Stem
- 329. Post Head Attachment Bolt
- 330. Attachment Bolt Washer M21x37x3
- 331. Upper Barrel
- 332. Lower Barrel
- 333. Lower Stem
- 334. Wrench Nut Adaptor (3400)
- 335. Telescopic Post Attachment Bolt
- 336. Bell Adapter

Valve Size	H1	34-150-0000 H1+H2		34-150-0001 H1+H2		34-150-0002 H1+H2	
		Min Bury	Max Bury	Min Bury	Max Bury	Min Bury	Max Bury
4"	13"	33"	56"	55"	78"	77"	100"
6"	18"	38"	61"	60"	83"	82"	105"
8"	23"	43"	66"	65"	88"	87"	110"
10"	27"	47"	70"	69"	92"	91"	114"
12"	31"	51"	74"	73"	96"	95"	118"

PI #	H2	
	Min Depth	Max Depth
34-150-0000	20"	43"
34-150-0001	42"	65"
34-150-0002	64"	87"

