

AMERICAN AVK SERIES 27 SWING CHECK VALVE, 250 PSI
Tested to AWWA C508 - Resilient Seated Swing - Valve Size 6"
Spigot by Mechanical Joint Ends in accordance with ANSI/AWWA C111/A21.11

27/SCV
DRY/HYD/CHK

Use:
 For water to maximum 160°F.

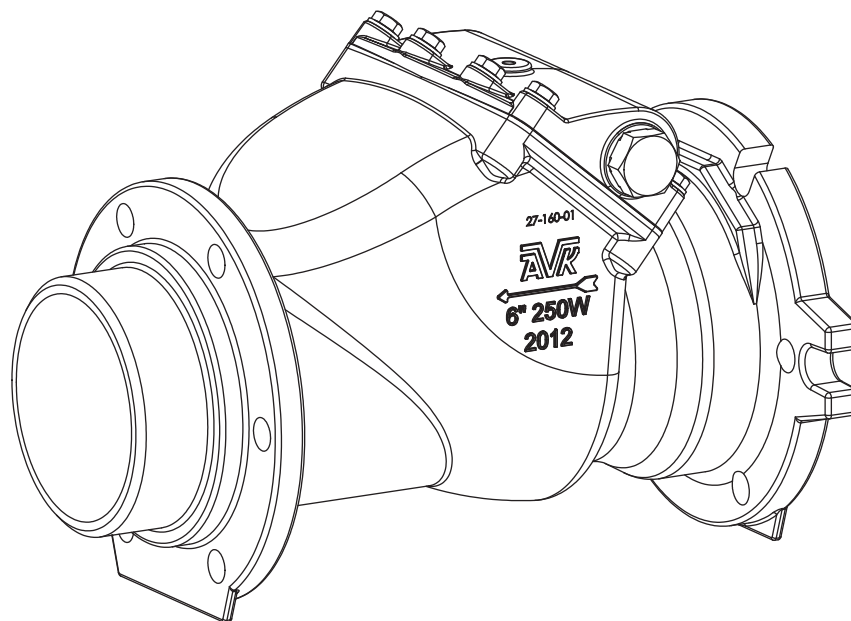
Tests:
 Hydraulic test to AWWA C508:
 Shell Test: 500 PSI
 Seat Test: 250 PSI

Optional Extras:

316 Bolting
 PUR Coating

Standard Materials:

Body, Bonnet,	Ductile iron, ASTM A536
Coating	Electrostatically applied fusion-bonded epoxy. Meets or exceeds AWWA C550
O-Rings,	NBR
Bonnet Gasket	EPDM
Shaft, Bonnet Bolts, Washers, Keys	Stainless steel
Bushings	Bronze
Disc	EPDM rubber with a carbon steel core

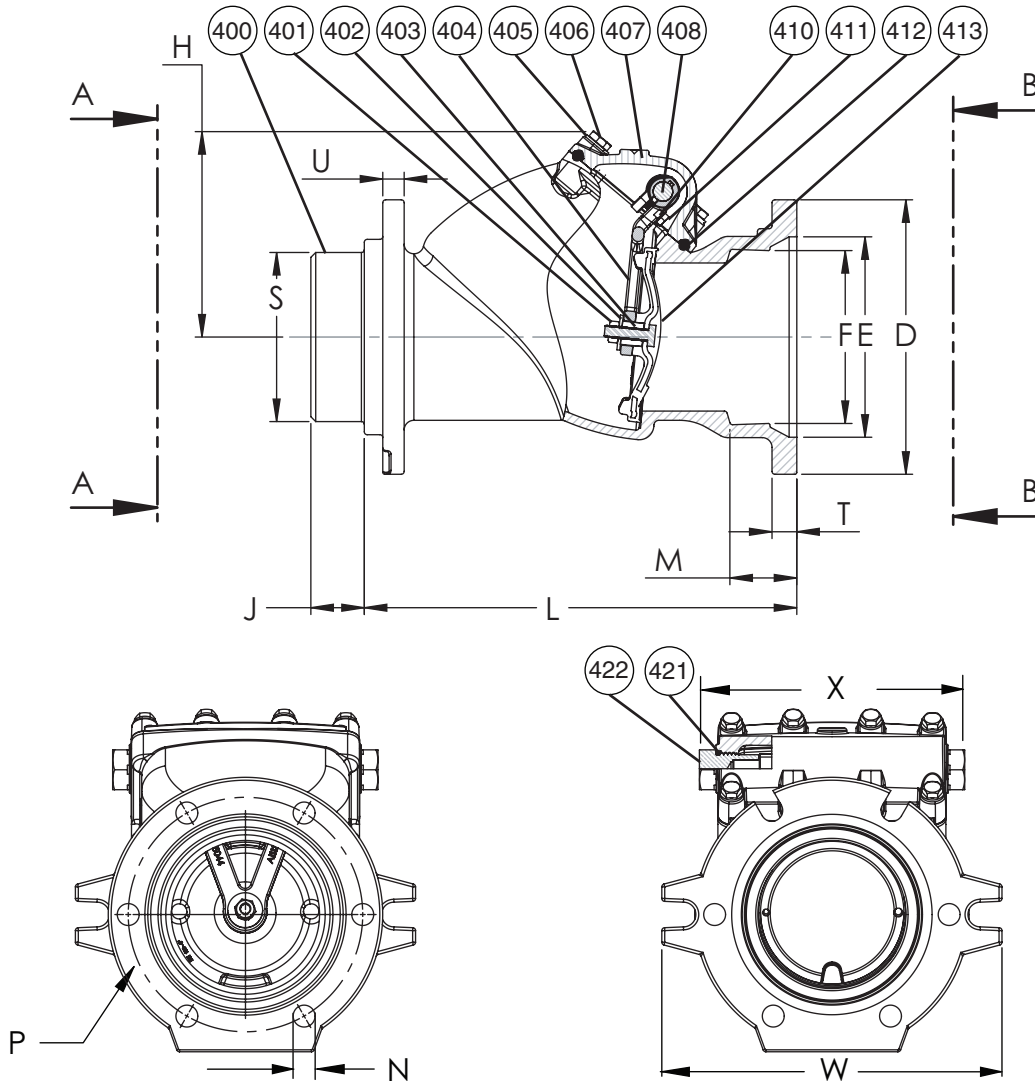


AMERICAN AVK SERIES 27 SWING CHECK VALVE, 250 PSI
Tested to AWWA C508 - Resilient Seated Swing - Valve Size 6"
Spigot by Mechanical Joint Ends in accordance with ANSI/AWWA C111/A21.11

27/SCV
DRY/HYD/CHK

Components

400. Body	406. Bonnet Bolt	413. Disc
401. Disc Nut**	407. Bonnet	421. Outer Bushing O-ring
402. Disc Washer	408. Shaft	422. Closed Bushing
403. Disc Bushing	410. Lock Washer	
404. Hinge	411. Hinge Bolt	
405. Bonnet Washer	412. Bonnet Gasket	



Ref No.	Size/ID	D	E	F	H	J	L	M	N	P	S	T	U	W	X	Flange Holes	Weight (lbs.)
27-SCV	6"	11.12"	8.12"	7.00"	8.32"	2.17"	17.52"	2.71"	0.89"	9.50"	6.85"	1.00"	0.87"	13.78"	10.50"	6	112

