

**AMERICAN AVK HIGH PRESSURE, 250 PSI, NOSTALGIC,
DUAL 2 1/2" HOSE OUTLET, DRY BARREL HYDRANT**

**27N/NHH
NOSTALGIC DUAL HOSE OUTLET**

Meets or exceeds AWWA C502 (latest) - Working Pressure - 250 PSI

Inlet Bases: Flanged in accordance with ANSI B16.1 Class 125,

Mechanical and Push-On Joint in accordance with ANSI/AWWA C111/A21.11

Use:

For water and neutral liquids to maximum 160°F.

Tests:

Hydraulic test to AWWA C502:

Seat Test: 500 PSI

Approvals:
UL/ULC Listed,
FM Approved
Certified to:
NSF/ANSI 61
NSF/ANSI 372



Components:

Nozzle Section, Bonnet, Barrels, Standpipe Flanges,
Breakable Flange, Main Valve Flange, Base,

Caps, Weathershield

Nozzles, Valve Seat Ring, Drain Ring
Operating Nut, Thrust Nut

Brass Fittings, Brass Plugs

Main Valve

Stem Rod Couplings, Lock Rings, Nozzle Retaining
Screw, Lock Plate, Lock Plate Screw, Stop Pins,
Coupler Pins, Main Valve Retaining Pin, Spring Pins,

Coating

Stop Nut, Chain Set, Hardware

Barrel Gasket, Cap Gasket, O-rings

Lubrication Hole Seal

Anti-Friction Washer

Base Elbow / Inlet Configuration

6" MJ

4" MJ

8" MJ*

*Not FM Approved

Standard:

Ductile Iron ASTM A536

Cast Iron ASTM A126 Class "B"

Bronze

Brass

Ductile iron core, fully encapsulated with EPDM rubber.

Stainless Steel

Above ground-Fusion bonded epoxy inside and out. Below
ground - Bitumen/Fusion bonded epoxy. Epoxy meets or
exceeds AWWA C550 (latest)

Zinc Plated Steel

NBR - (Barrel Gasket with 304 stainless insert)

Oil Resistant Rubber

Polyamide

6" Flanged

4" Flanged

Straight Flanged 6"

6" Push-on

4" PE*

6" PE*

HYMAX®*

Optional Materials:

Hardware

Upper Stem Rod

Lower Stem Rod

Zinc Plated

304 Stainless

304 Stainless

304 Stainless

Epoxy Coated Steel

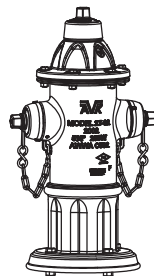
Epoxy Coated Steel

316 Stainless

Opening Direction

Open Left

Open Right



Series 27N/NHH
2 Hose Outlet



**AMERICAN AVK HIGH PRESSURE, 250 PSI, NOSTALGIC,
DUAL 2 1/2" HOSE OUTLET, DRY BARREL HYDRANT**

**27N/NHH
NOSTALGIC DUAL HOSE OUTLET**

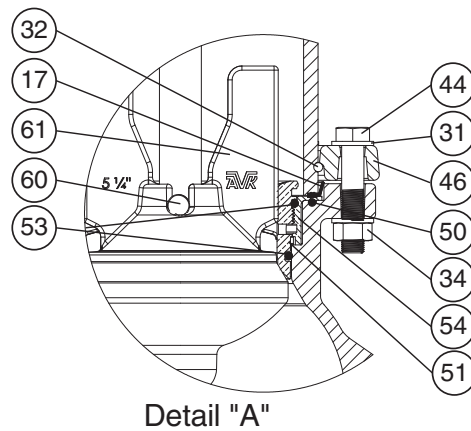
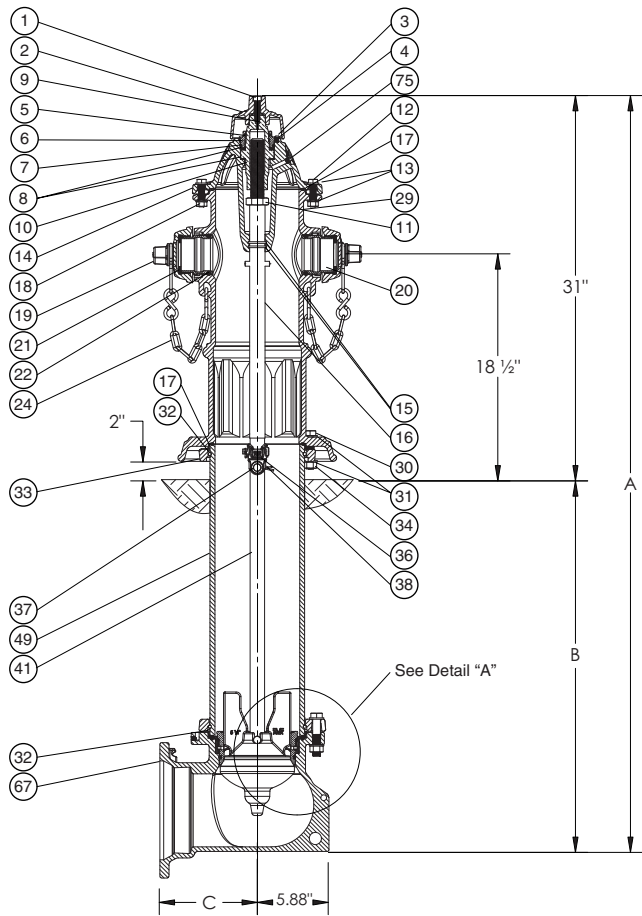
Meets or exceeds AWWA C502 (latest) - Working Pressure - 250 PSI

Inlet Bases: Flanged in accordance with ANSI B16.1 Class 125,

Mechanical and Push-On Joint in accordance with ANSI/AWWA C111/A21.11

Component List:

- | | | | |
|----------------------------|----------------------------|----------------------------------|-------------------------------|
| 1. Weathershield Bolt | 15. Stem Seal O-rings | 33. Breakable Flange | 55. Brass Plug -Not shown |
| 2. Weathershield | 16. Upper Stem Rod | 34. Nozzle Section Nut | 56. Brass Fitting -Not shown |
| 3. Lock Plate Screw | 17. Barrel Gasket | 36. Coupler Pin | 60. Main Valve Retaining Pin |
| 4. Lock Plate | 18. Bonnet Nut | 37. Breakable Stem Rod | -Detail A |
| 5. Inner Thrust Nut O-ring | 19. Hose Nozzle Cap | Coupling | 61. Main Valve Disc -Detail A |
| 6. Thrust Nut | 20. Hose Nozzle | 38. Spring Pin | 62. Base Gasket -Detail A |
| 7. Outer Thrust Nut O-ring | 21. Hose Nozzle Cap Gasket | 41. Lower Stem Rod | 64. Stud Bolt -Detail A |
| 8. Anti-Friction Washer | 22. Hose Nozzle O-ring | 44. Extension Boly -Detail A | 67. Base |
| 9. Lubrication Hole Seal | 23. Nozzle Retaining Screw | 46. Standpipe Flange -Detail A | 75. Zerk Fitting |
| 10. Operating Nut | 24. Chain Set | 49. Lower Barrel | |
| 11. Stop Nut | 29. Nozzle Section | 50. Lower Barrel O-ring Detail A | |
| 12. Bonnet Bolt | 30. Nozzle Section Bolt | 51. Valve Seat Rng -Detail A | |
| 13. Bonnet Washer | 31. Nozzle Section Washer | 53. Valve Seat O-ring -Detail A | |
| 14. Bonnet | 32. Lock Ring | 54. Drain Ring -Detail A | |



Ref No.	Base Sizes	Outlets	A	B*	C				
					Flanged	MJ	Push-on	PE	HYMAX GRIP®
27N-NHH-4	- 4"	2x2 1/2"	49" - 247"	18" - 216"	8.00"	8.00"	N/A	23.70"	N/A
27N-NHH-6	- 6"	2x2 1/2"	49" - 247"	18" - 216"	8.00"	8.00"	9.00"	22.80"	11.60"
27N-NHH-8	- 8"	2x2 1/2"	49" - 247"	18" - 216"	N/A	9.38"	N/A	N/A	N/A

* Buries greater than 216" available upon request.

