

AMERICAN AVK HIGH PRESSURE, 250 PSI, MODERN, DRY BARREL HYDRANT

27M/PHH/ALP

Meets or exceeds AWWA C502 (latest) - Working Pressure - 250 PSI

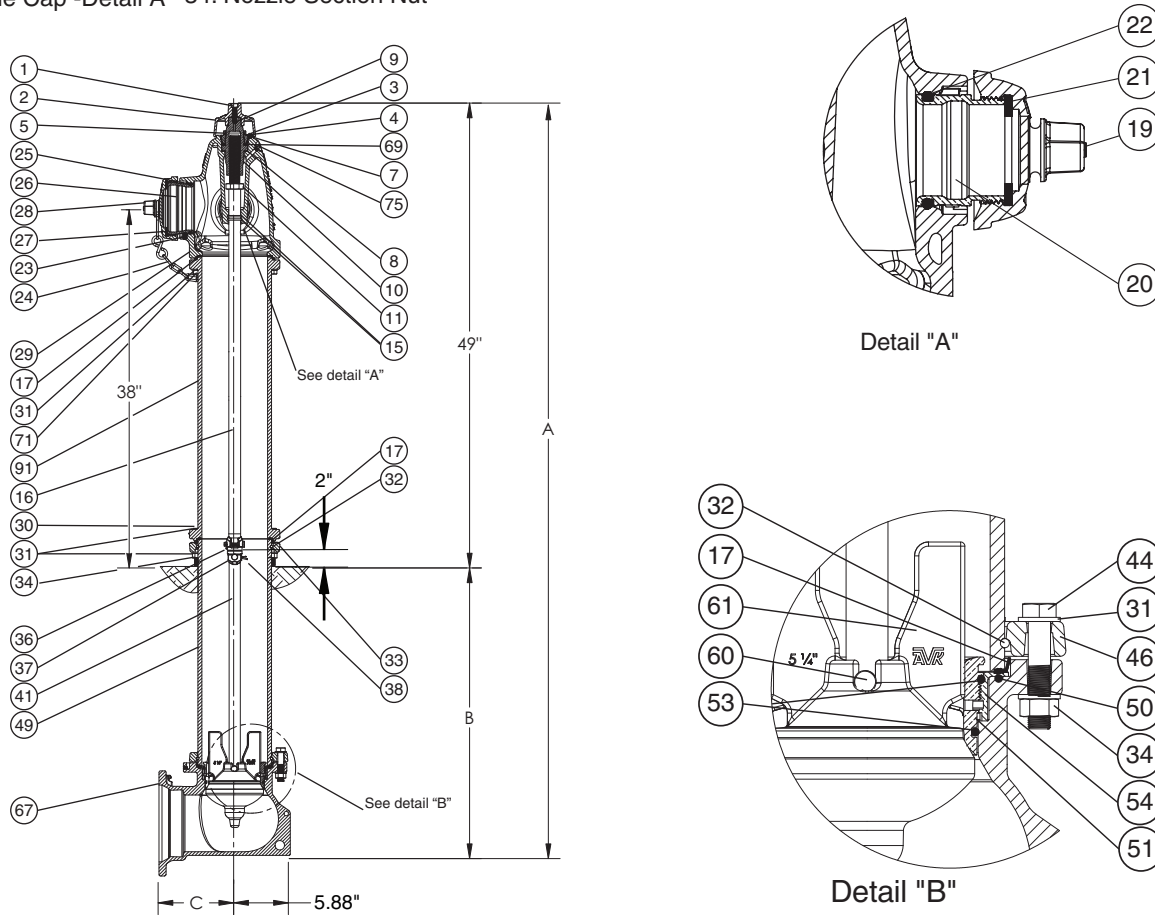
ALPINE

Inlet Bases: Flanged in accordance with ANSI B16.1 Class 125,

Mechanical and Push-On Joint in accordance with ANSI/AWWA C111/A21.11

Component List:

- | | | | |
|-------------------------------|--------------------------------------|----------------------------------|--|
| 1. Weathershield Bolt | 20. Hose Nozzle -Detail A | 36. Coupler Pin | 60. Main Valve Retaining Pin -Detail B |
| 2. Weathershield | 21. Hose Nozzle Cap Gasket -Detail A | 37. Breakable Stem Rod Coupling | 61. Main Valve Disc -Detail B |
| 3. Lock Plate Screw | 22. Hose Nozzle O-ring - Detail A | 38. Spring Pin | 62. Base Gasket -Detail B |
| 4. Lock Plate | 23. Nozzle Retaining Screw | 41. Lower Stem Rod | 67. Base |
| 5. Inner Thrust Nut O-ring | 24. Chain Set | 44. Extension Bolt -Detail B | 69. Thrust Bearing |
| 6. Thrust Nut | 25. Pumper Nozzle O-ring | 46. Standpipe Flange -Detail B | 71. Modern Nozzle Section Bolt |
| 7. Outer Thrust Nut O-ring | 26. Pumper Nozzle | 49. Lower Barrel | 75. Zerk Fitting |
| 8. Anti-Friction Washer | 27. Pumper Nozzle Gasket | 50. Lower Barrel O-ring Detail B | 91. Alpine Upper Barrel |
| 9. Lubrication Hole Seal | 28. Pumper Nozzle Cap | 51. Valve Seat Ring -Detail B | |
| 10. Operating Nut | 29. Nozzle Section | 53. Valve Seat O-ring -Detail B | |
| 11. Stop Nut | 30. Nozzle Section Bolt | 54. Drain Ring -Detail B | |
| 15. Stem Seal O-rings | 31. Nozzle Section Washer | 55. Brass Plug -Not shown | |
| 16. Upper Stem Rod | 32. Lock Ring | 56. Brass Fitting -Not shown | |
| 17. Barrel Gasket | 33. Breakable Flange | | |
| 19. Hose Nozzle Cap -Detail A | 34. Nozzle Section Nut | | |



Ref No.	Base Size	Outlets	A	B*	C Flanged	C MJ	C Push-on	C PE	C HYMAX GRIP®
27M-PHH-4-ALP	- 4"	2x2½", 1x4"/4½"	67" - 265"	18" - 216"	8.00"	8.00"	N/A	23.70"	N/A
27M-PHH-6-ALP	- 6"	2x2½", 1x4"/4½"	67" - 265"	18" - 216"	8.00"	8.00"	9.00"	22.80"	11.60"
27M-PHH-8-ALP	- 8"	2x2½", 1x4"/4½"	67" - 265"	18" - 216"	N/A	9.38"	N/A	N/A	N/A

* Buries greater than 216" available upon request.

